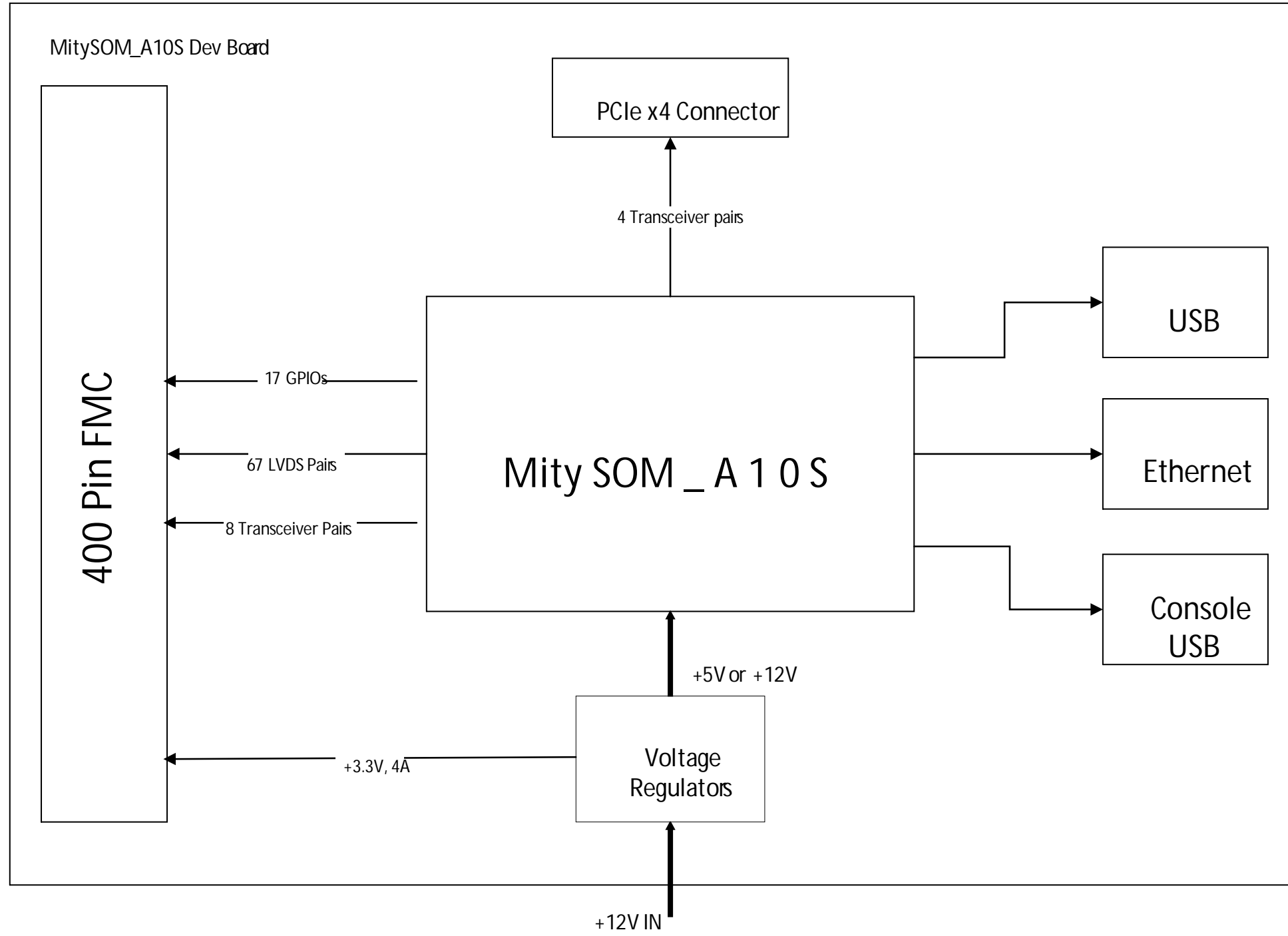


REV	DESCRIPTION	ECR No	INITIALS	DATE
-1A	Initial release	1718	OV	02/018/19

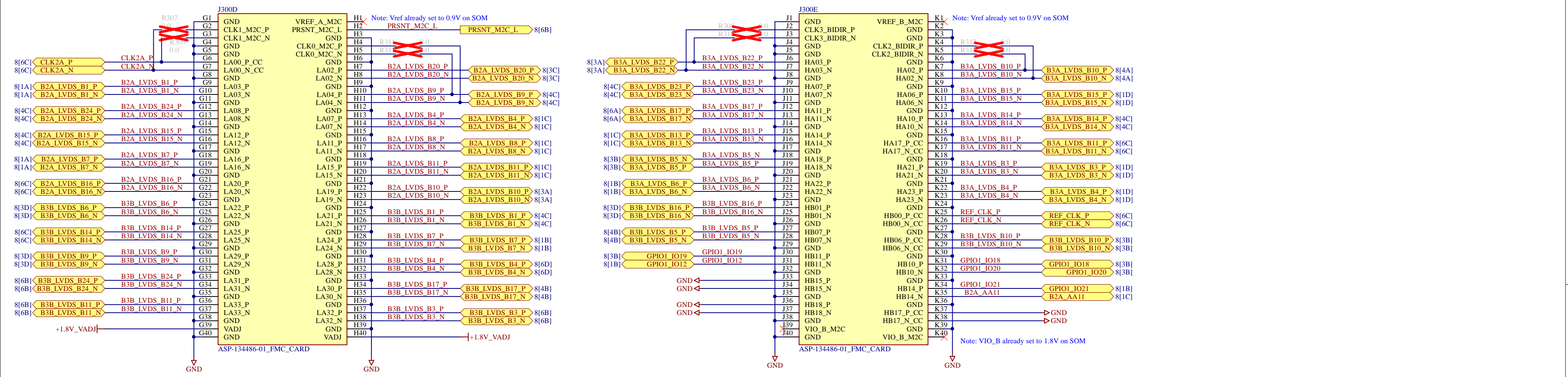
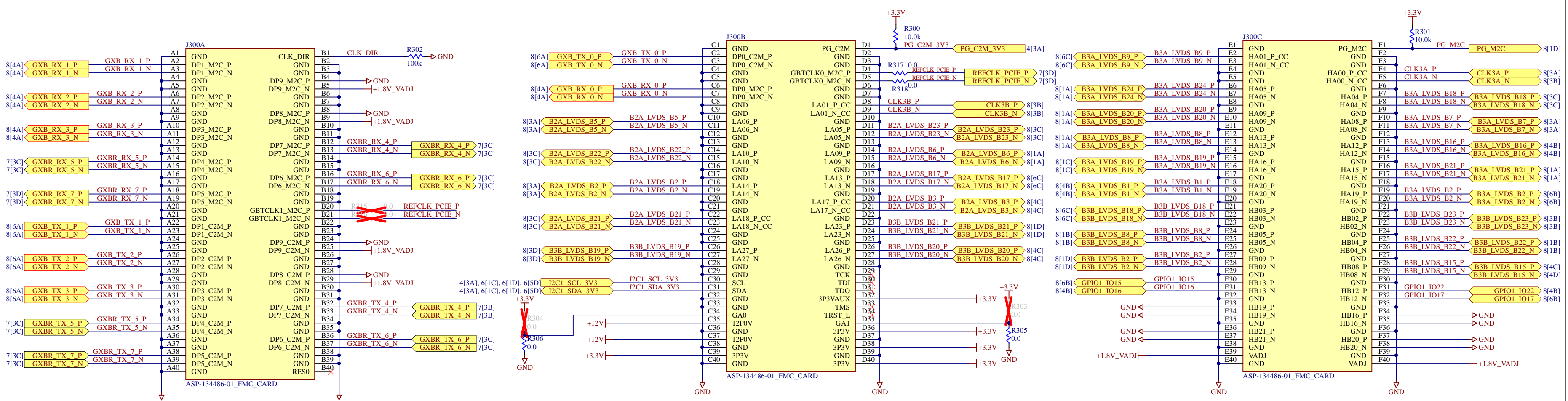


LBL100  
PCA LABEL

80-001218RI-1\_RevA

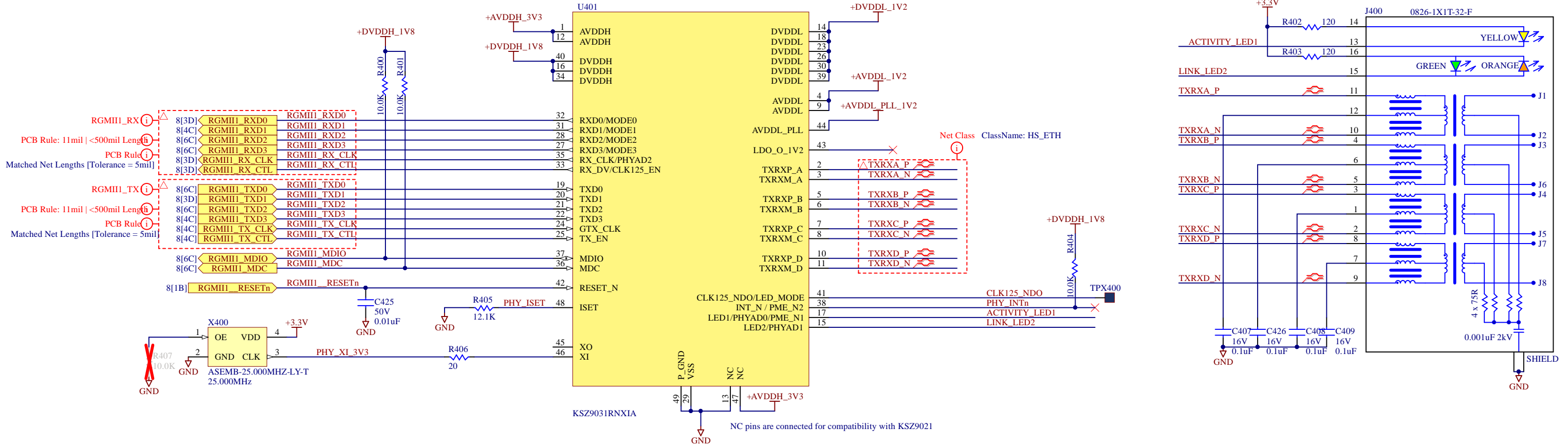
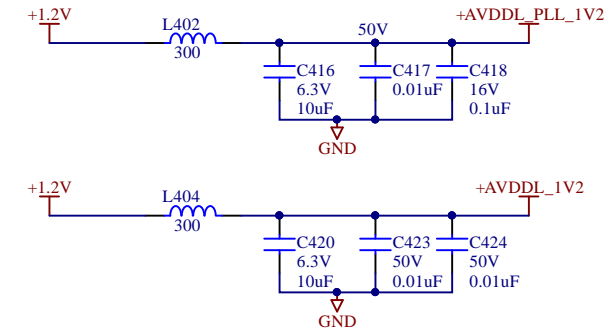
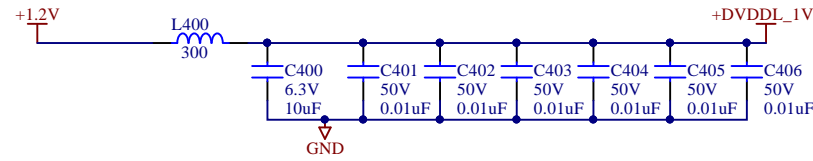
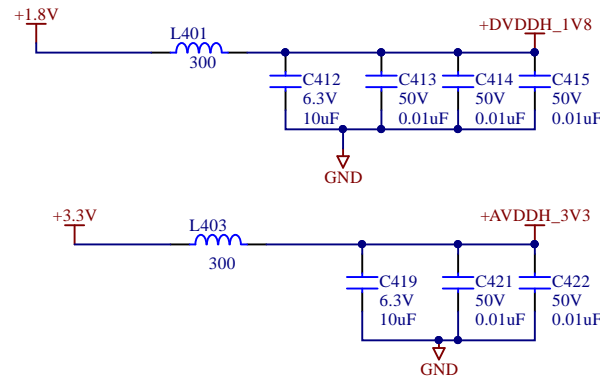
PN-PCB100  
PCB # 90-000392R-1\_RevA  
90-000392R-1

# FMC Connector



# Ethernet

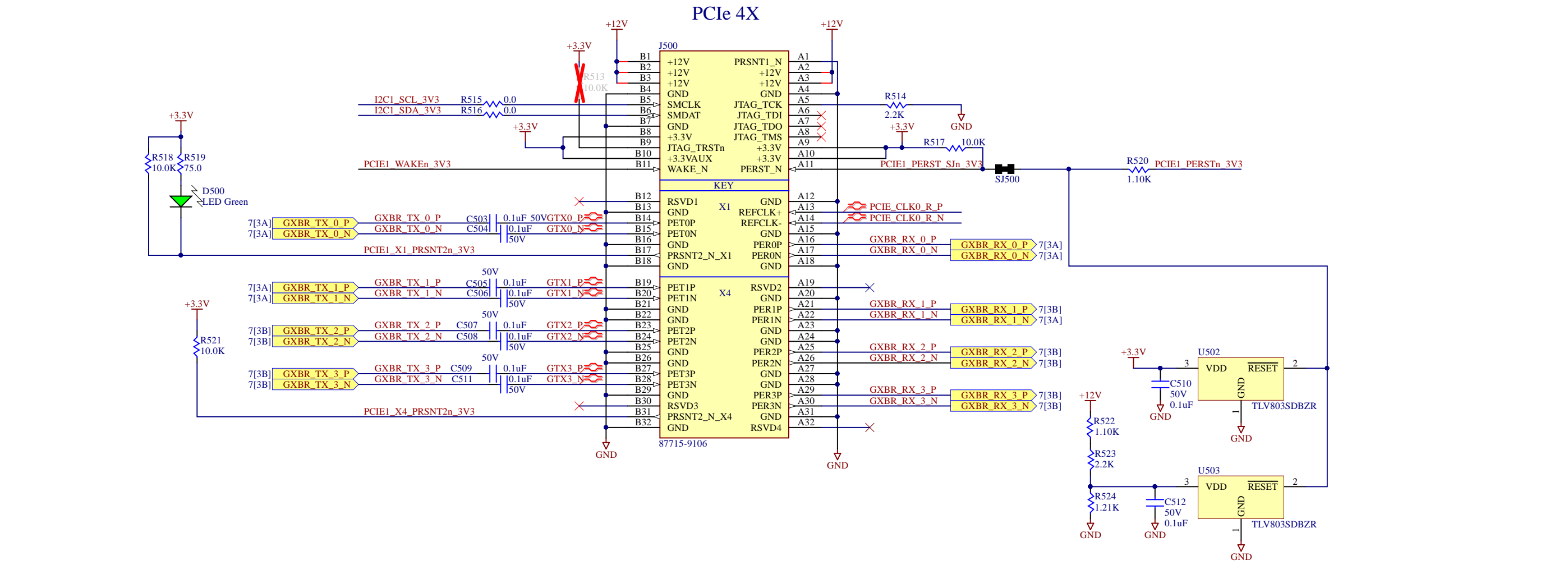
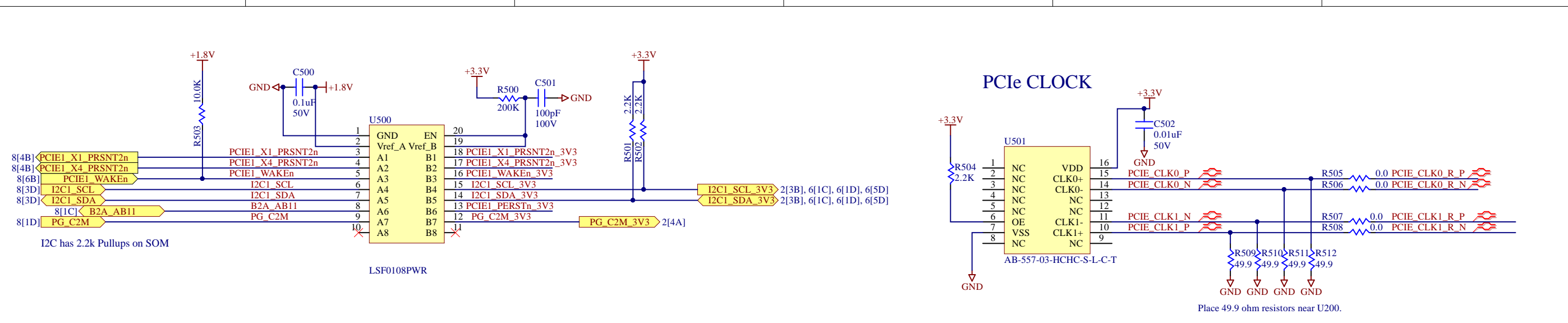
	1.2V Core (DVDDL, AVDDL, AVDDL_PLL)	2.5V Transceiver (AVDDH - commercial temp only)	3.3V Transceiver (AVDDH)	1.8V Digital I/Os (DVDDH)	Total Chip Power
	mA	mA	mA	mA	mW
1000Base-T link-up (no traffic)	210	58.8	67.8	11.2	419 / 494
1000Base-T full-duplex @ 100% utilization	221	57.9	66.3	23.6	452 / 526
100Base-TX link-up (no traffic)	63.6	24.9	28.7	8.4	154 / 186
100Base-TX full-duplex @ 100% utilization	63.8	24.9	28.6	9.8	156 / 189



PHY Mode (Default: 1111): Advertise all capabilities

PHY Address (00XXX, Default: 00011)

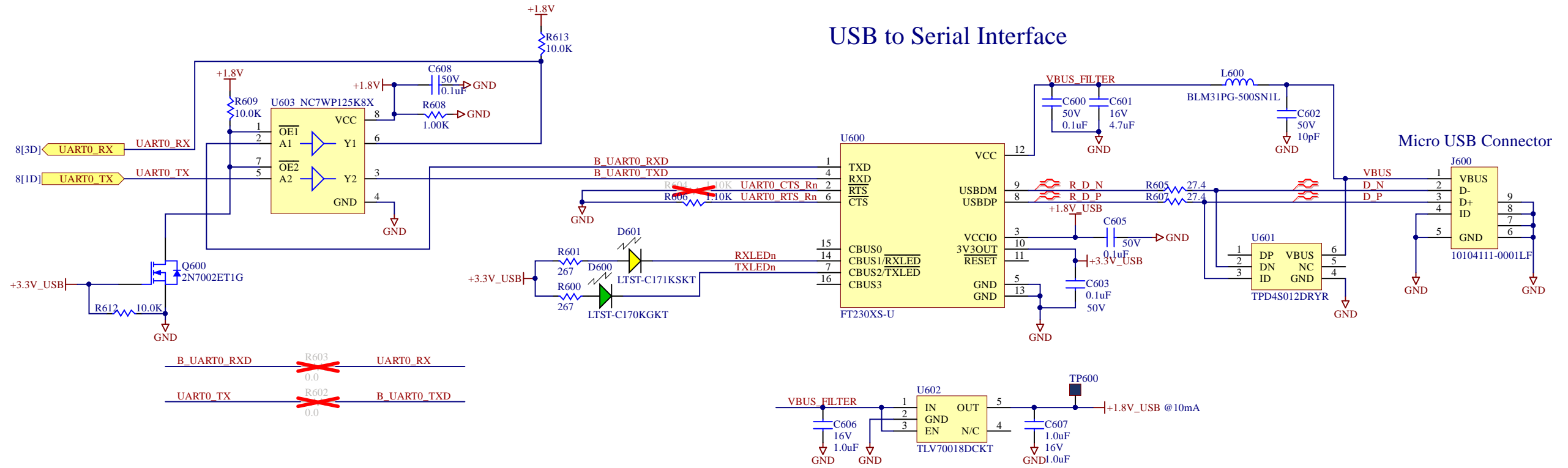




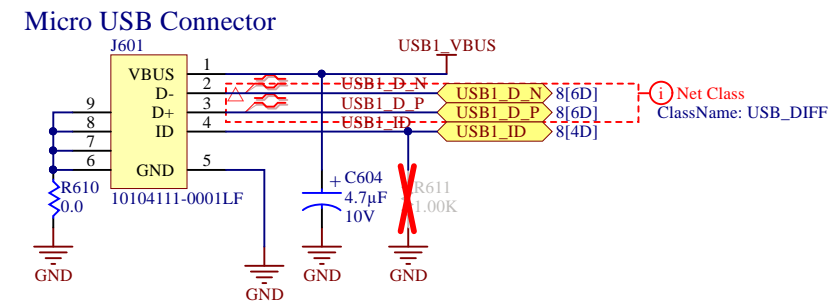
Title: <b>PCIe</b>		Critical Link, LLC 6712 Brooklawn Parkway Syracuse, NY 13211 315.425.4045 www.criticallink.com	
Size: B	Number: 80-001218RI-1	Revision: A	
Date: 3/11/2019	Time: 9:16:52 AM	Sheet 4 of 8	
SVN: 4329 [Locally Modified]		File: PCIe.SchDoc	



# USB to Serial Interface



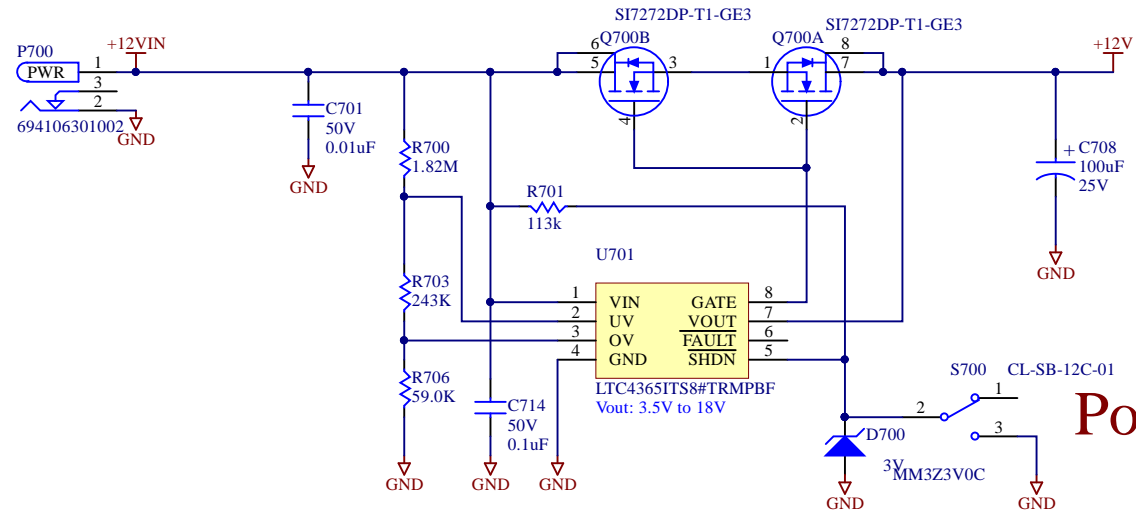
# USB OTG from SOM



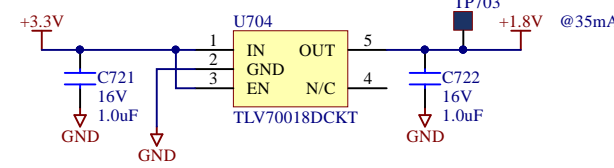
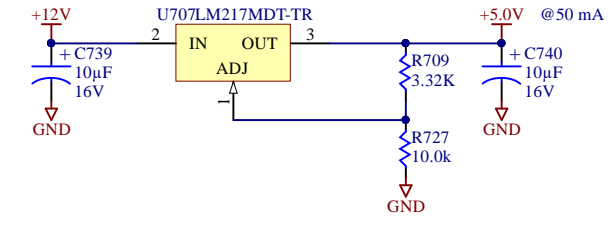
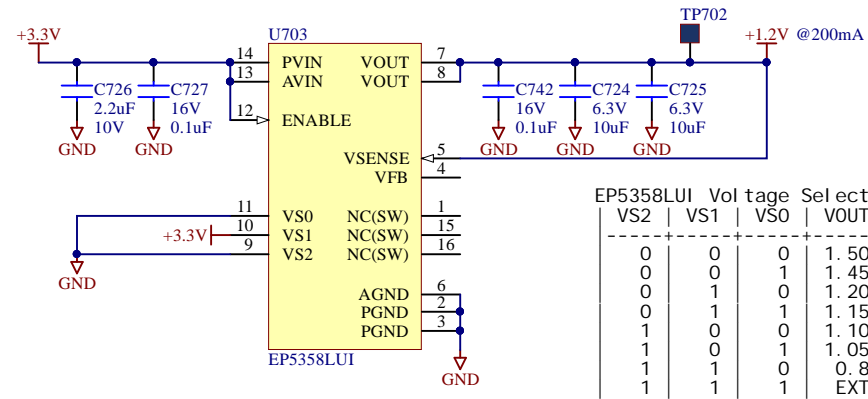
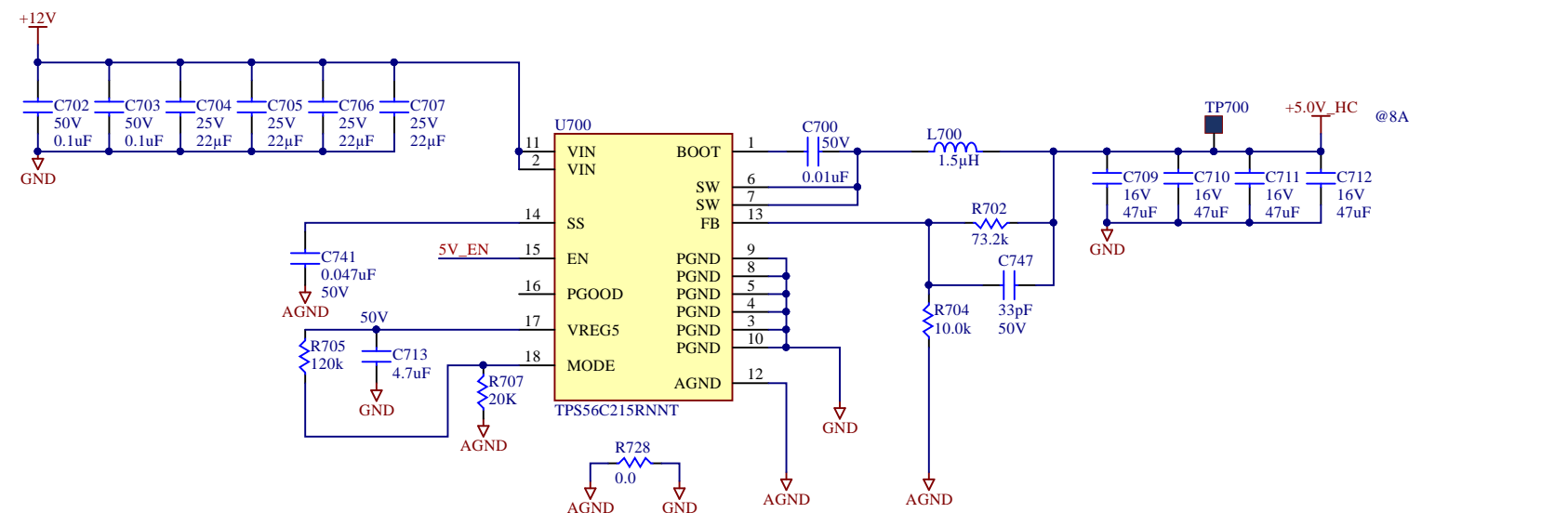
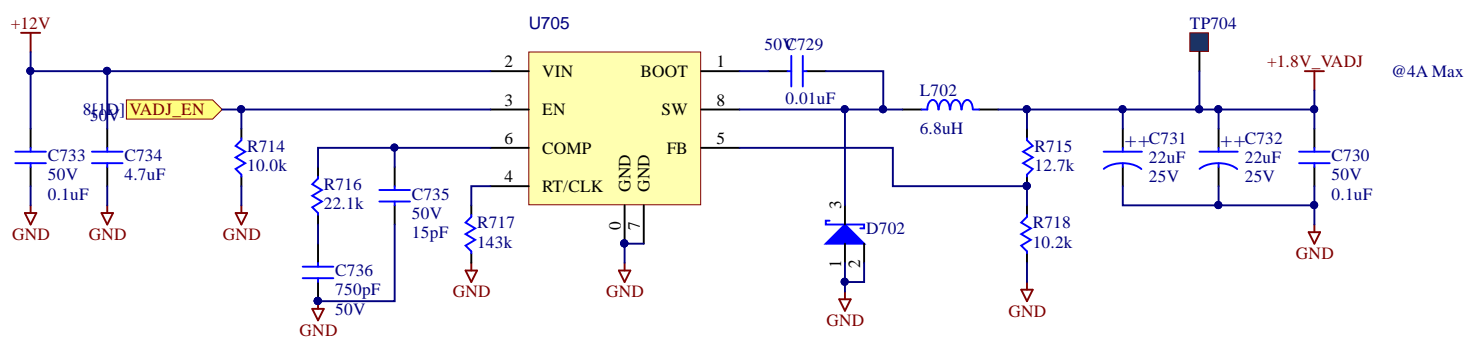
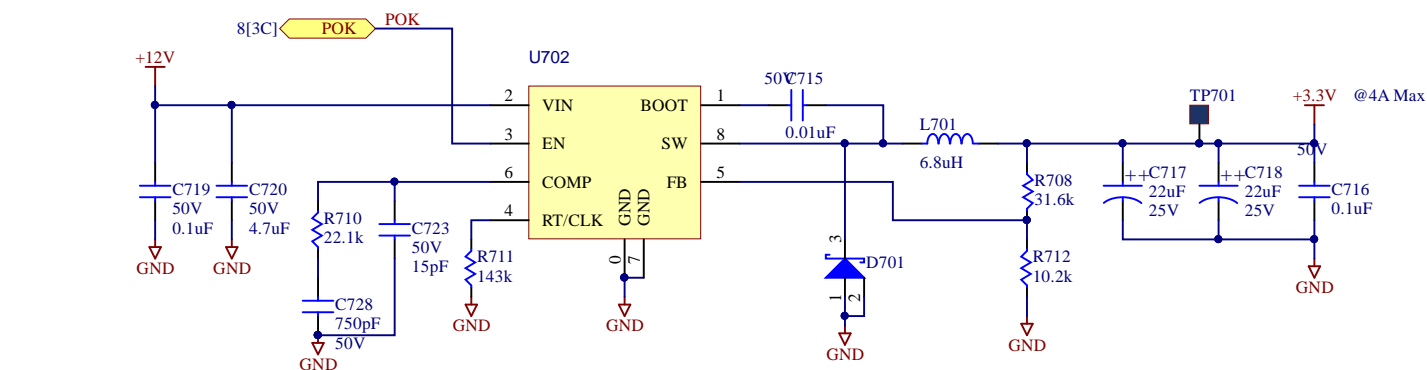
Note: Overcurrent protection provided on SOM

# Power Supplies

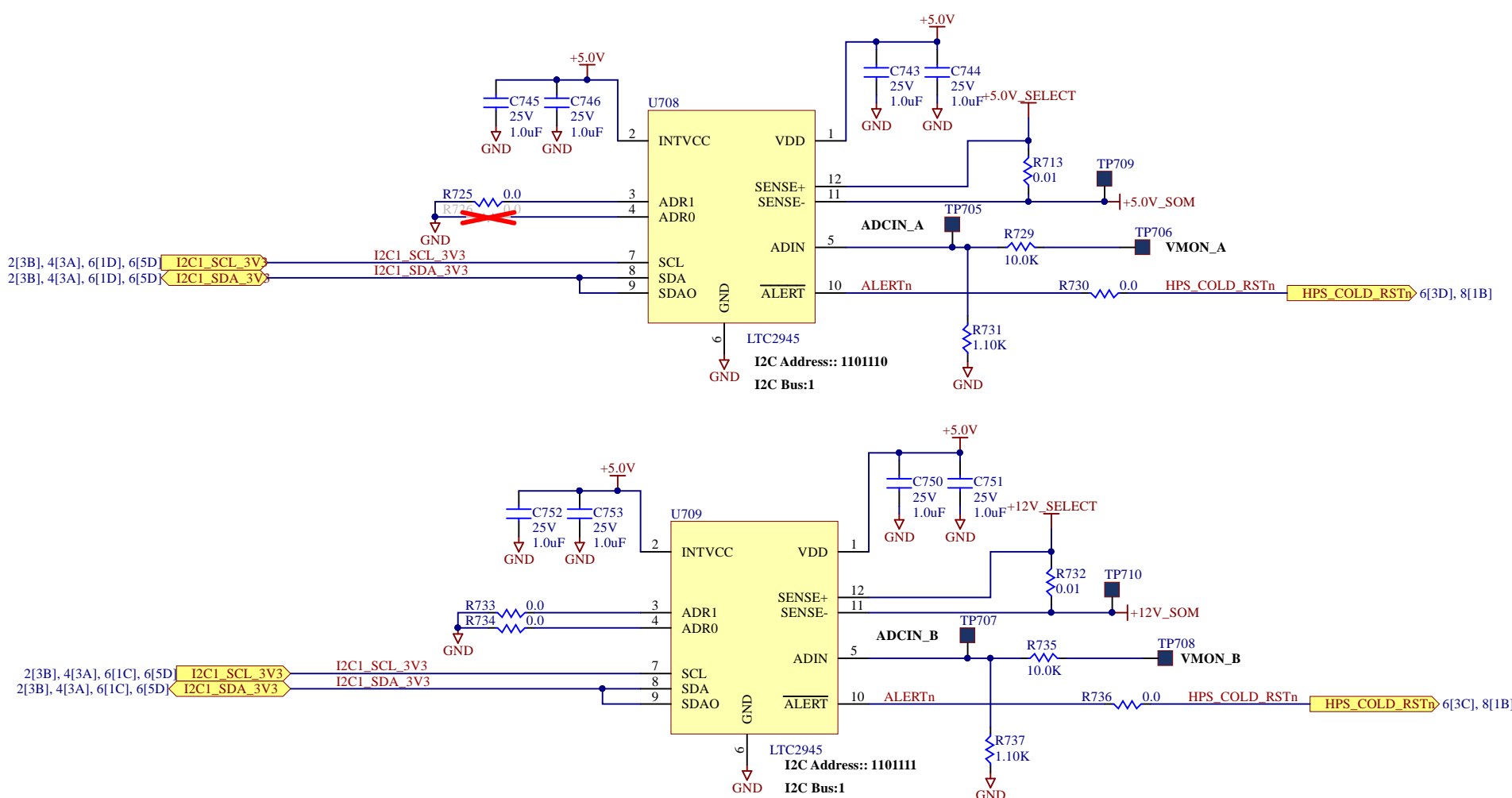
## Power IN



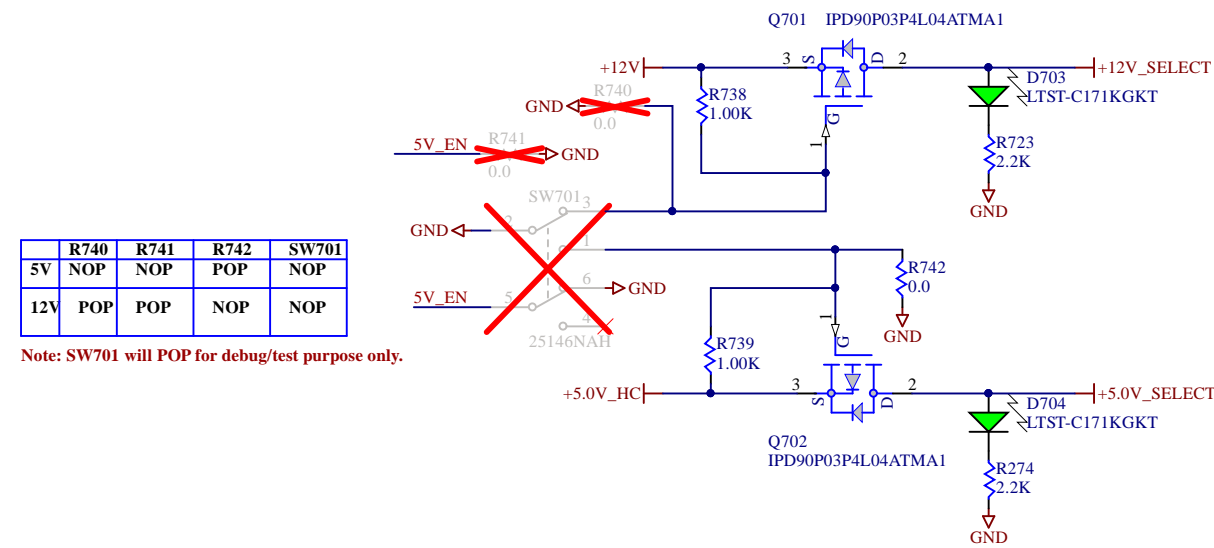
## Power Switch



## Power Monitors



## SOM Power Selection



## Voltage Monitor

