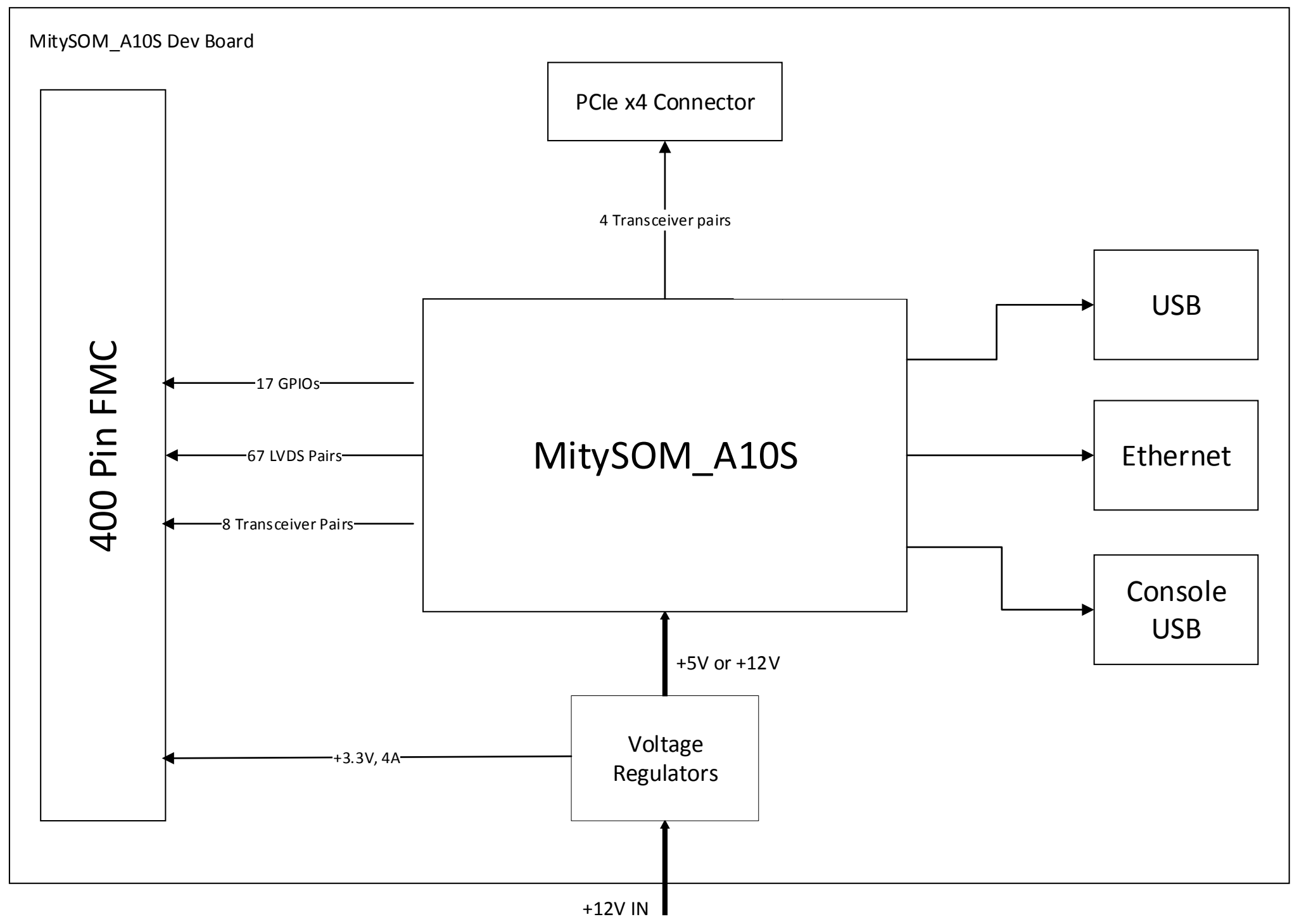
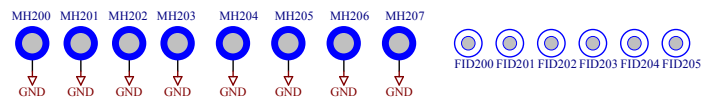
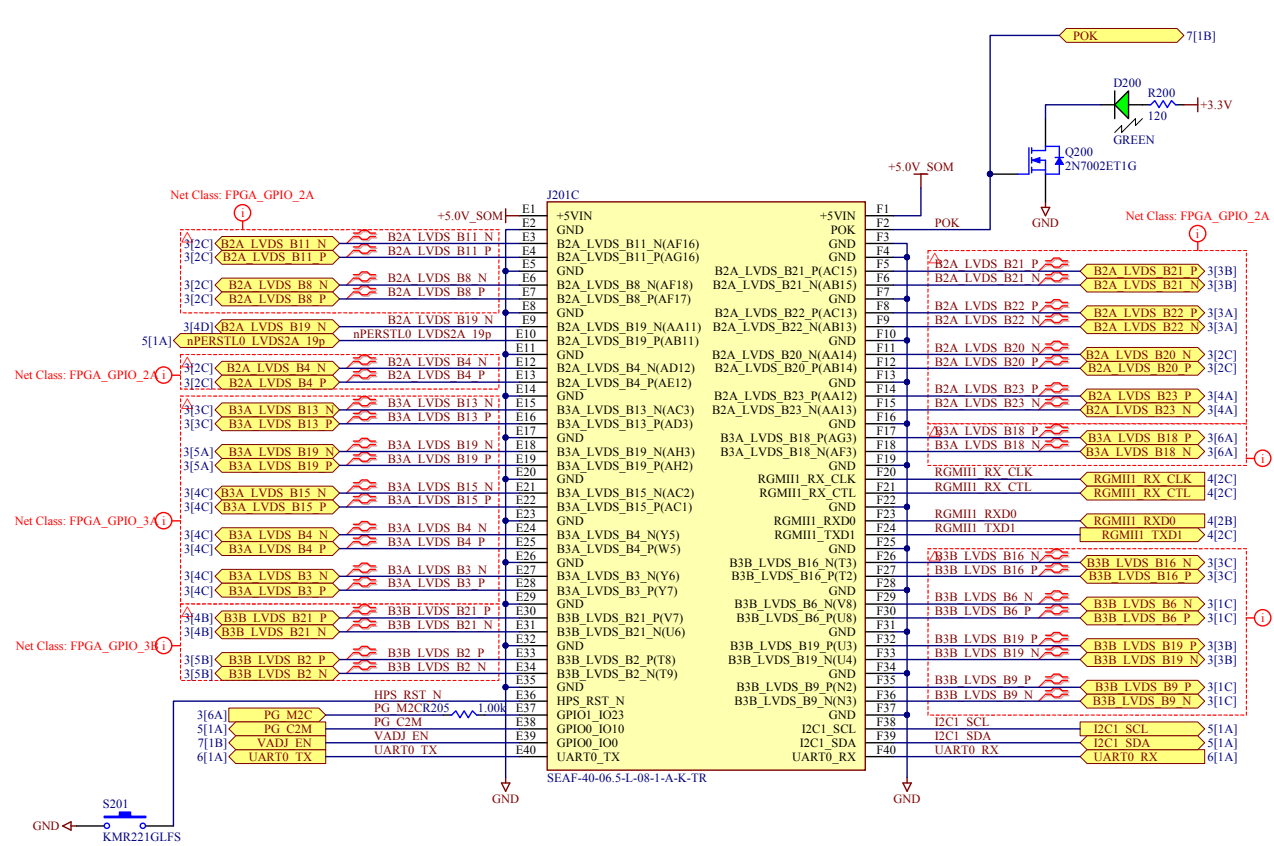
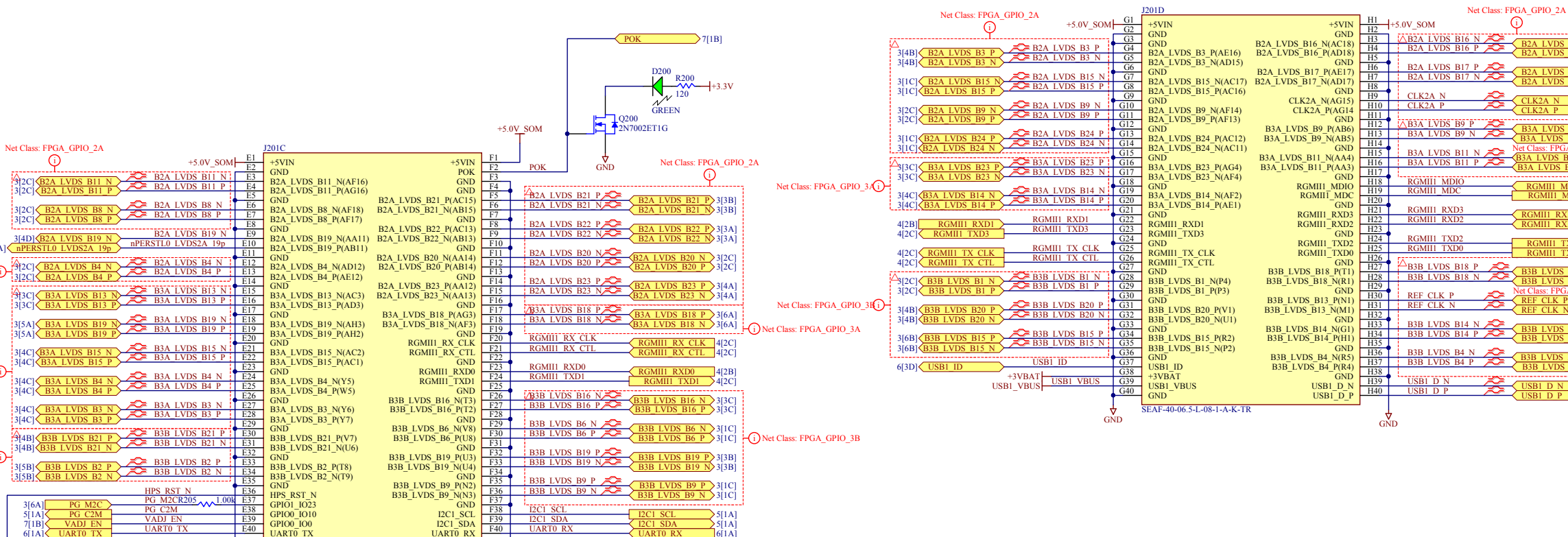
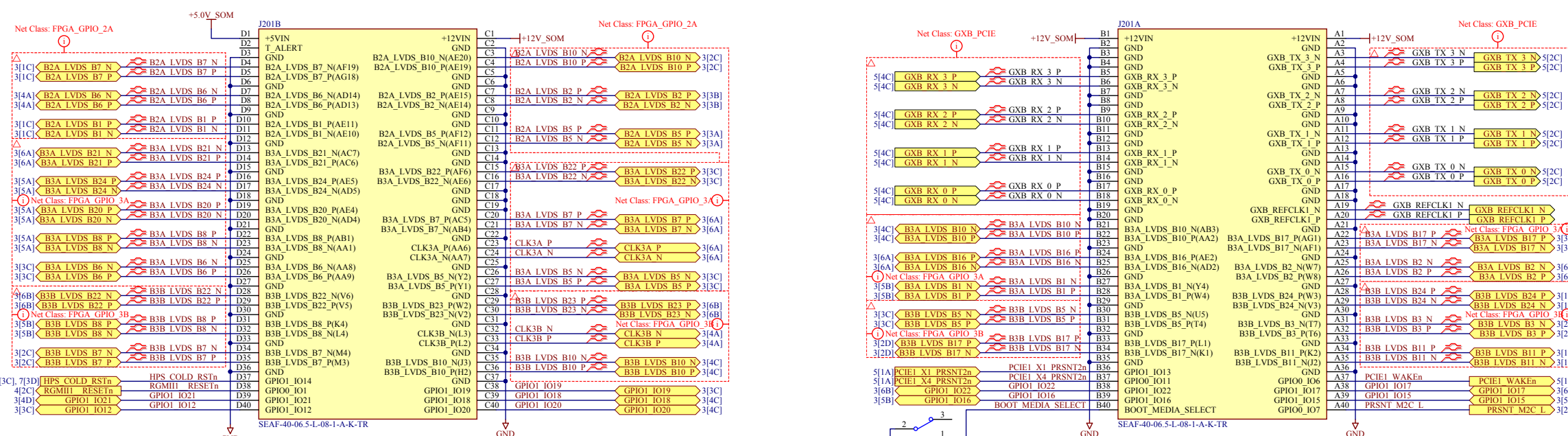


REV	DESCRIPTION	ECR No	INITIALS	DATE
-1A	Initial release	1558	KC	05/07/2018
-2A	Modkit per RM #15676	1625	BH	08/22/2018
-3B	Implemented modkit reworks in "copper"	1656	AKS	09/03/2018

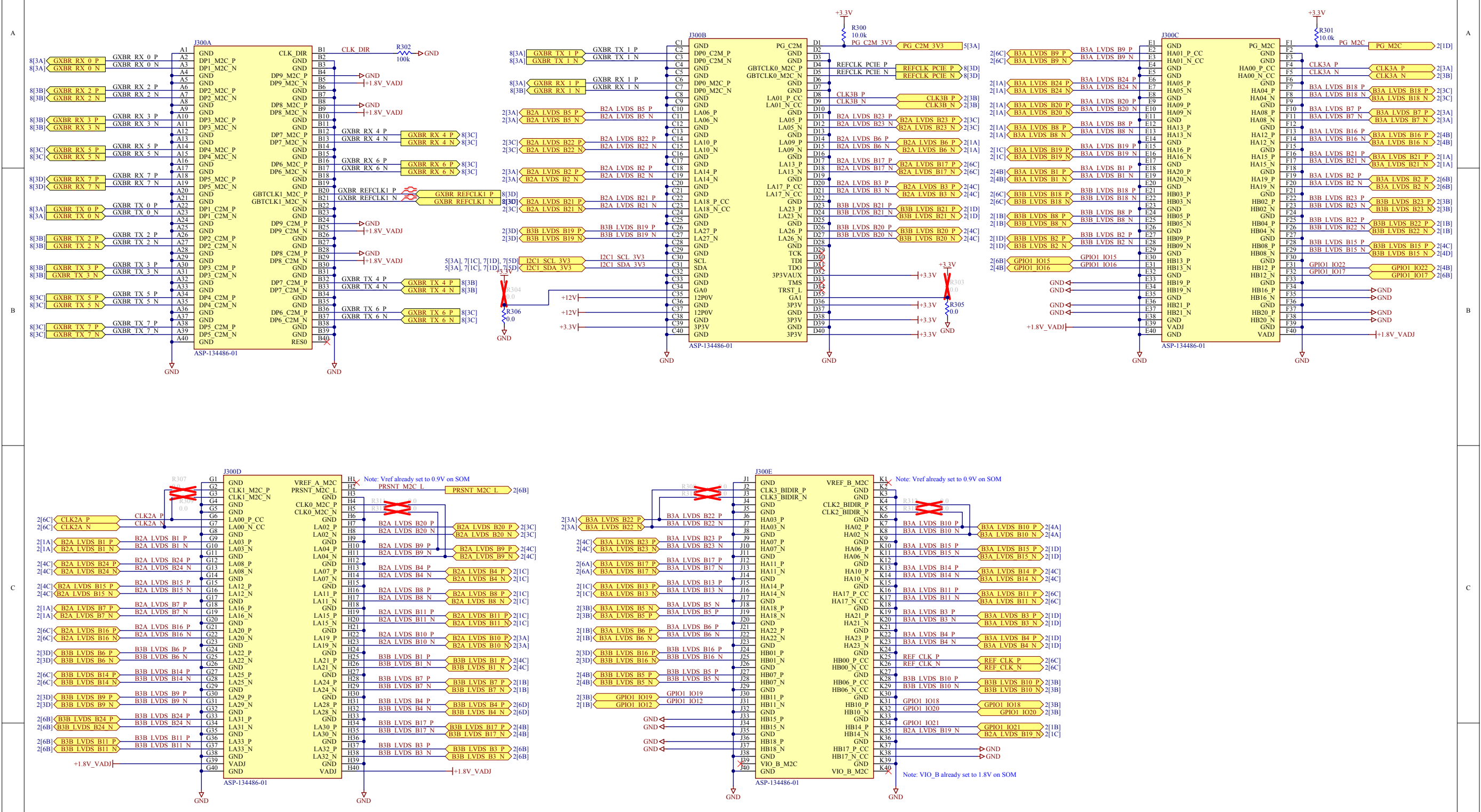


LBL100
PCA LABEL
 PCA Label
 80-001127RC-3_RevB

PCB # 90-000365R-2_RevA
 PN-PCB100

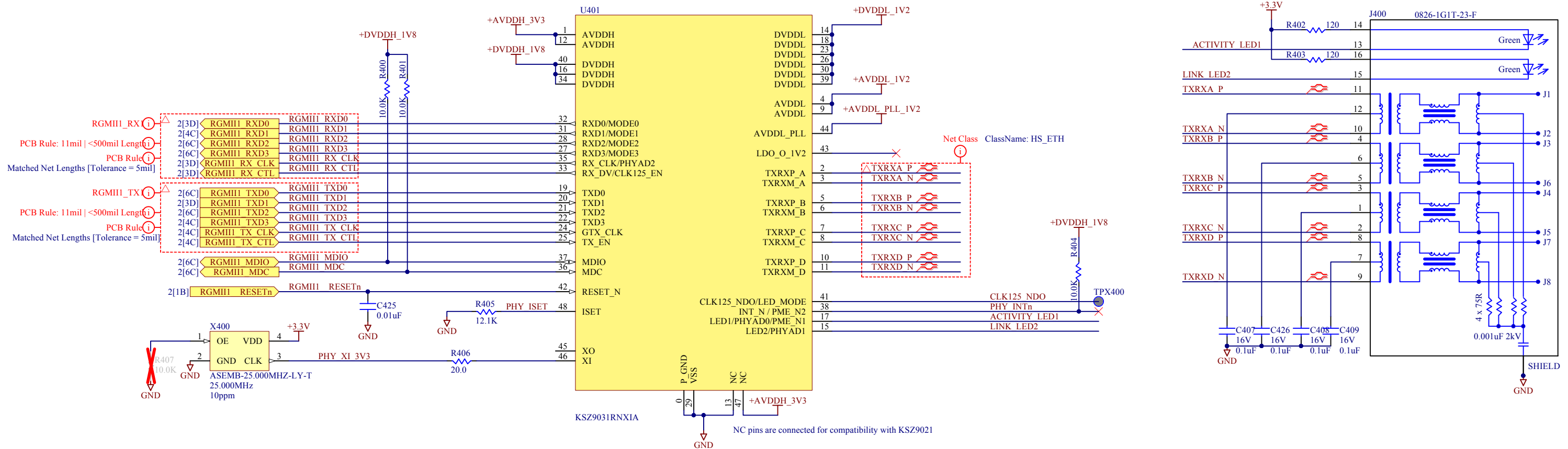
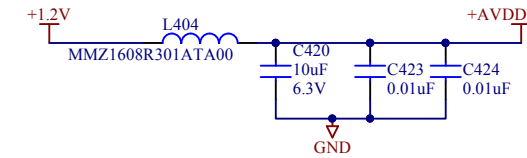
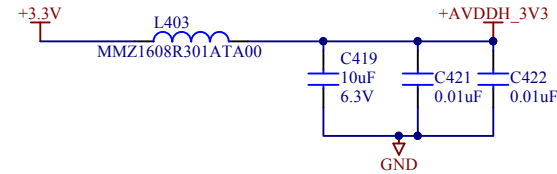
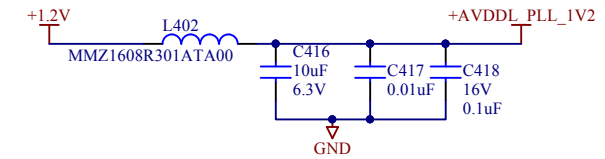
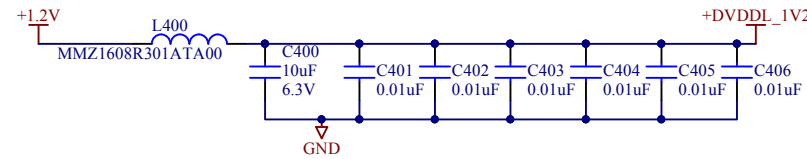
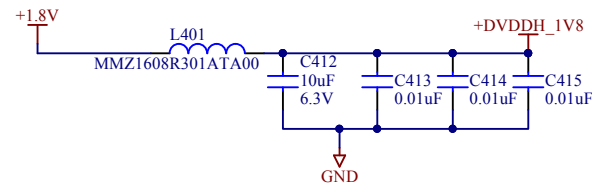


FMC Connector



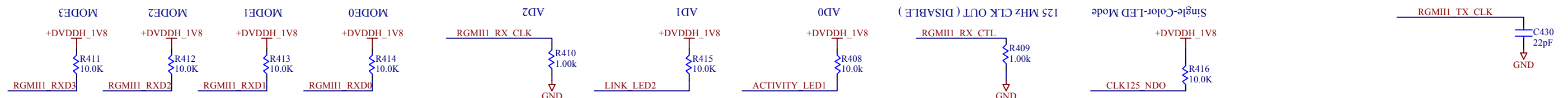
Ethernet

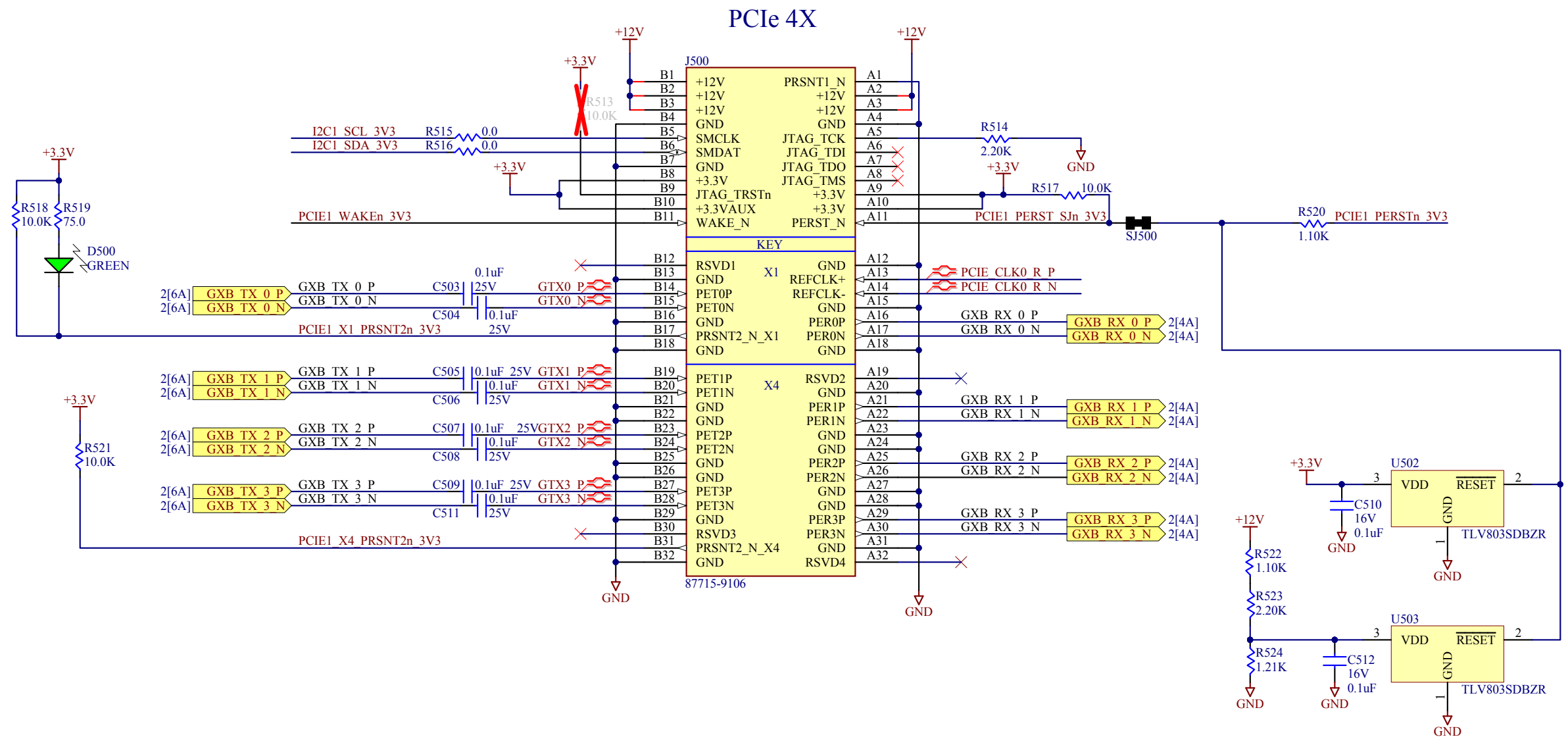
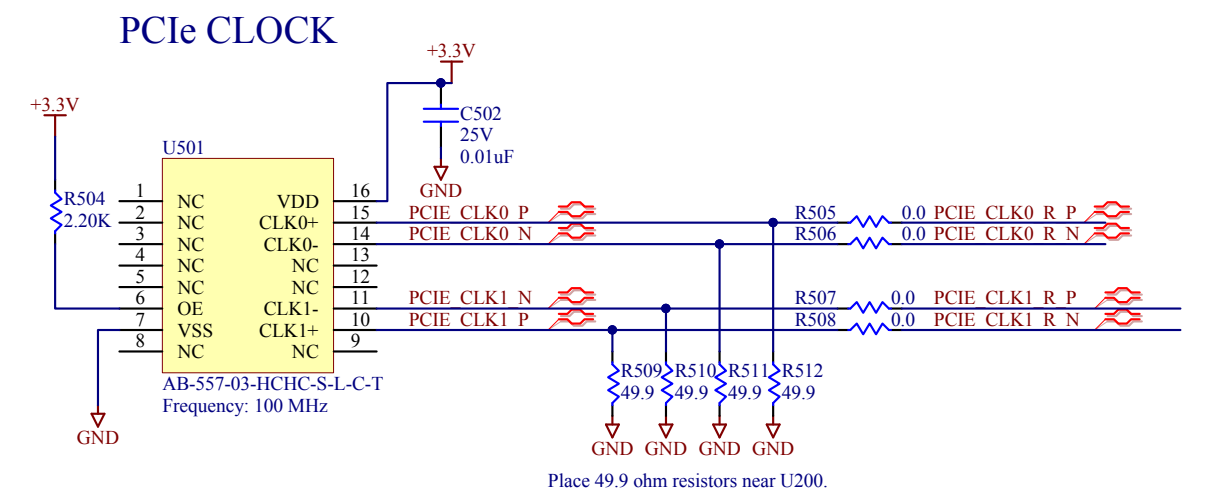
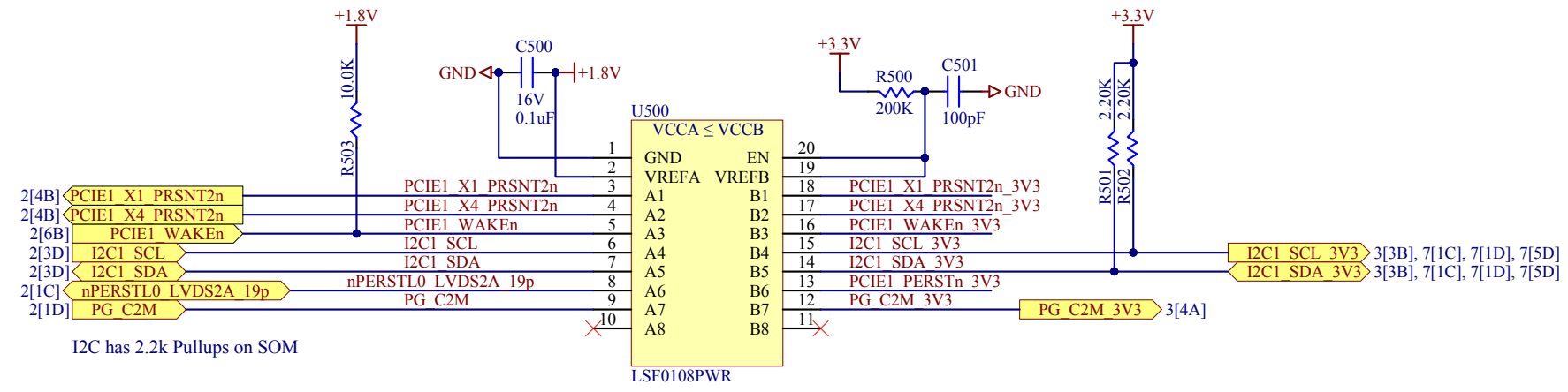
	1.2V Core (DVDDL, AVDDL, AVDDL_PLL) mA	2.5V Transceiver (AVDDH - commercial temp only) mA	3.3V Transceiver (AVDDH) mA	1.8V Digital I/Os (DVDDH) mA	Total Chip Power mW
1000Base-T link-up (no traffic)	210	58.8	67.8	11.2	419 / 494
1000Base-T full-duplex @ 100% utilization	221	57.9	66.3	23.6	452 / 526
100Base-TX link-up (no traffic)	63.6	24.9	28.7	8.4	154 / 186
100Base-TX full-duplex @ 100% utilization	63.8	24.9	28.6	9.8	156 / 189



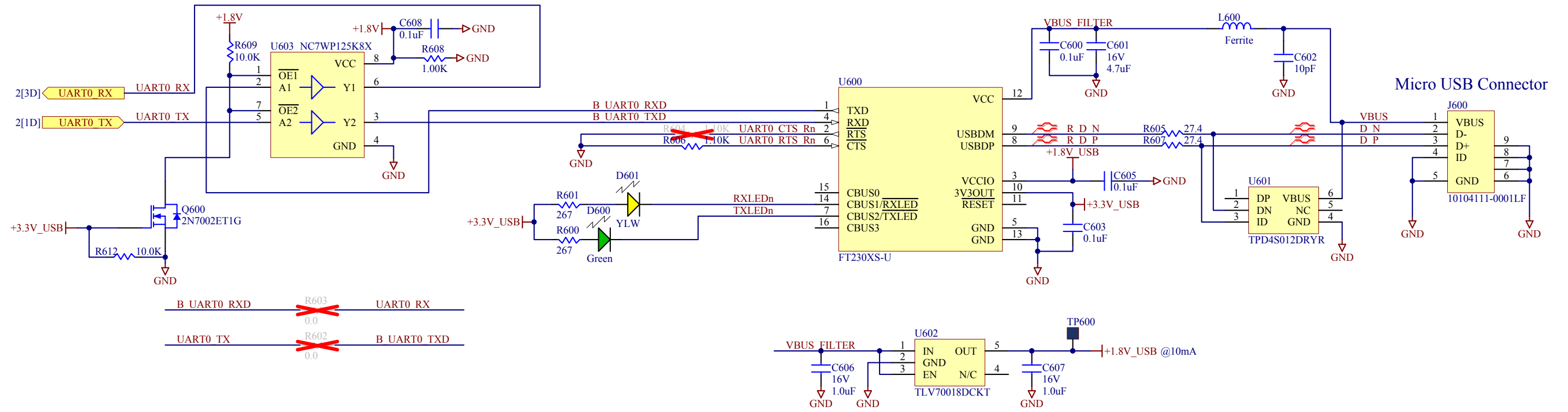
PHY Mode (Default: 1111): Advertise all capabilities

PHY Address (00XXX, Default: 00011)

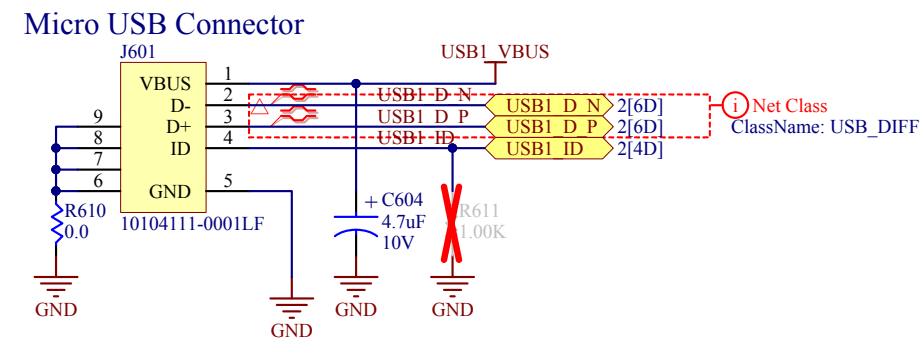




USB to Serial Interface



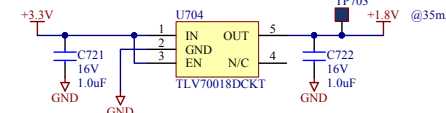
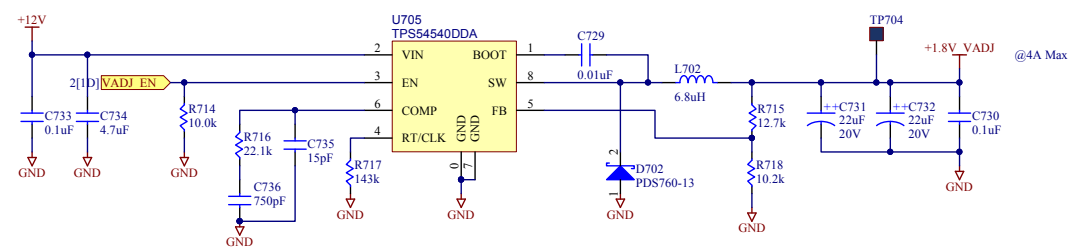
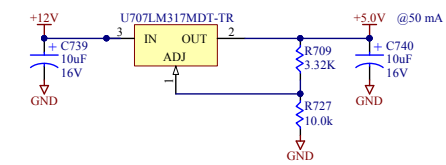
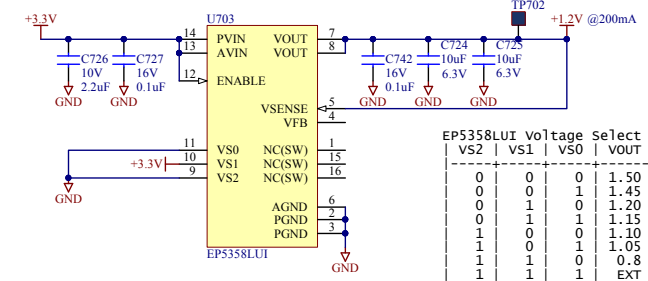
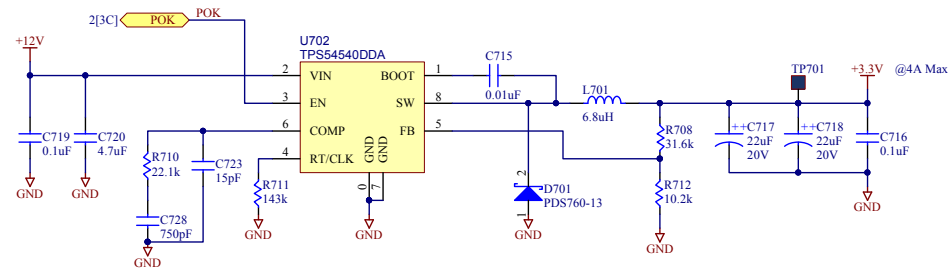
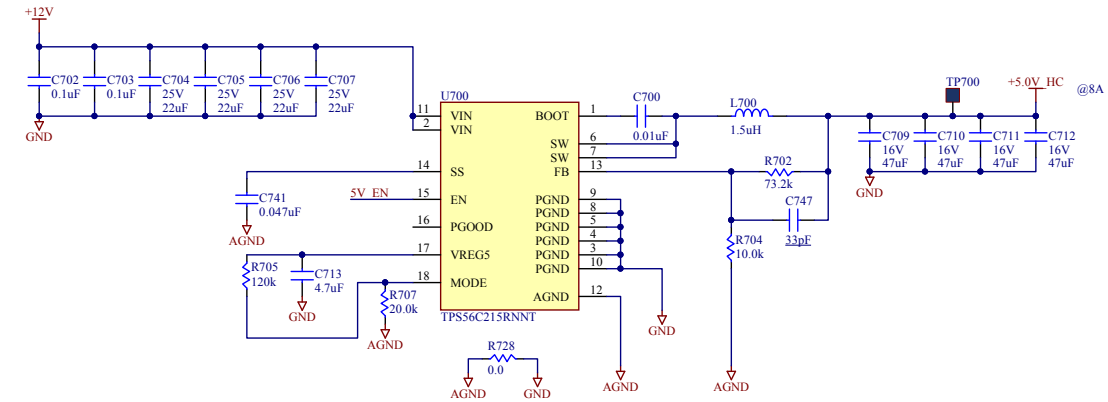
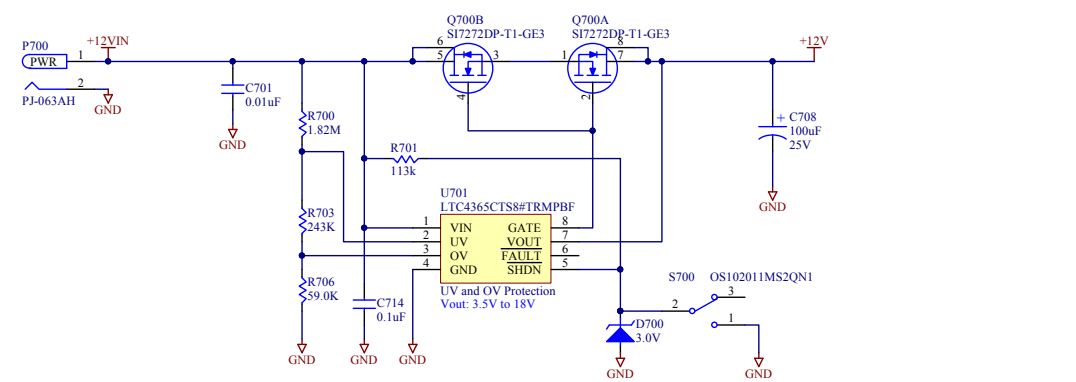
USB OTG from SOM



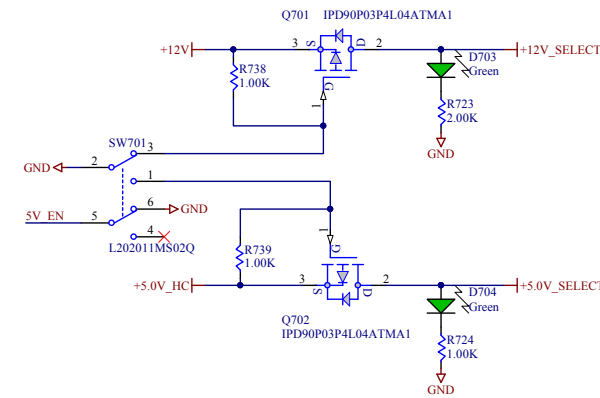
Note: Overcurrent protection provided on SOM



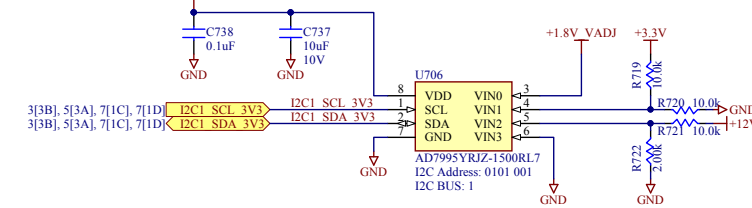
Power Supplies



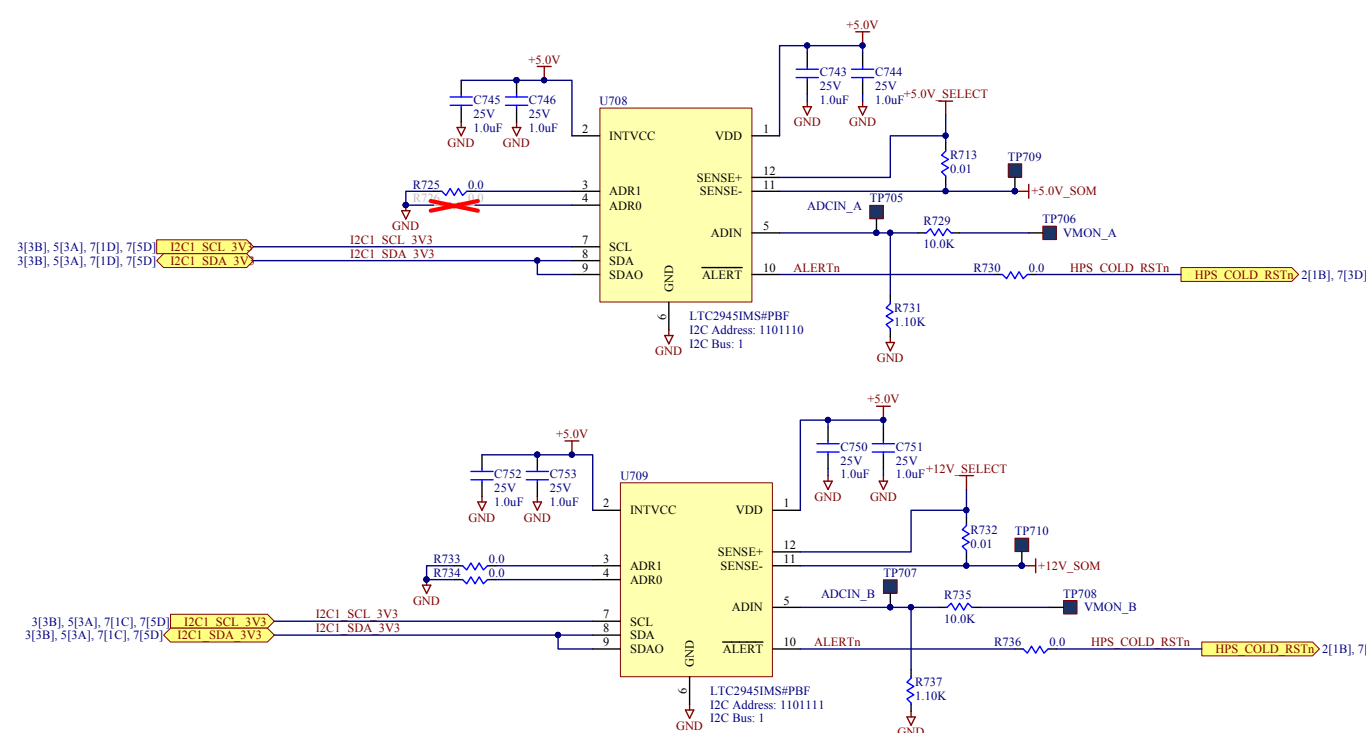
SOM Power Selection

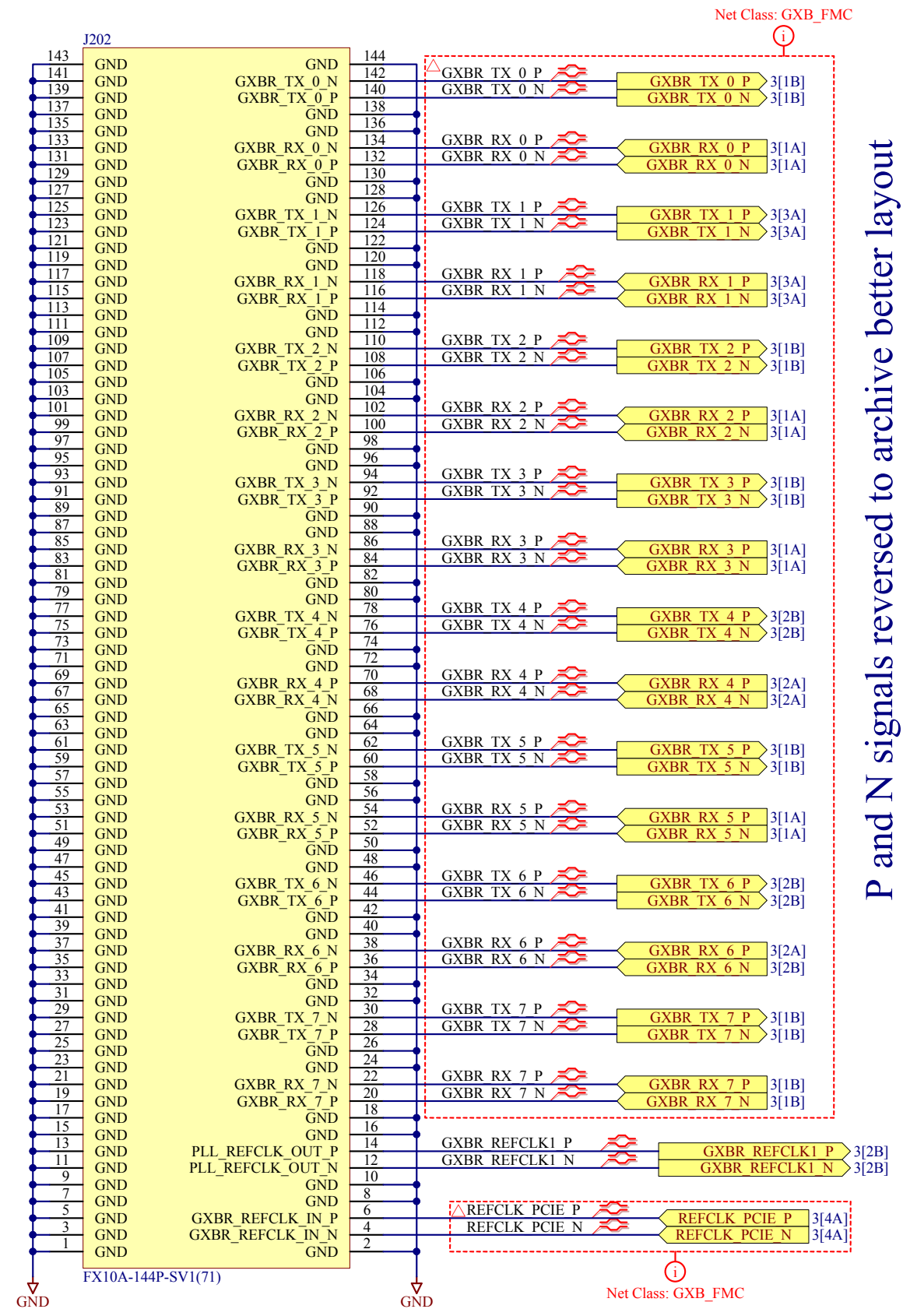


Voltage Monitor



Power Monitors





P and N signals reversed to archive better layout

