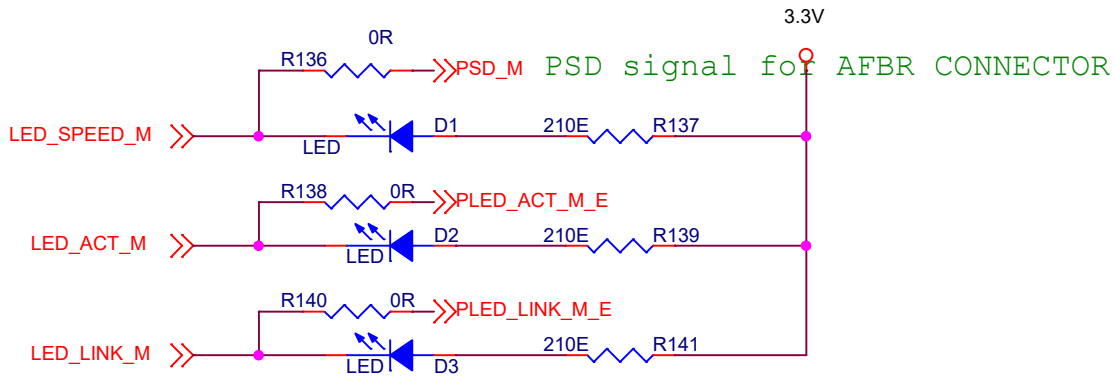


RGMII MASTER MODE  
 R130, R132 Populate  
 R134 DNP

MII MODE  
 R130, R132 DNP

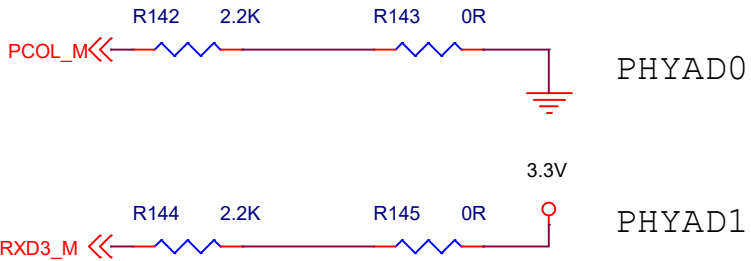
COPPER MODE  
 Populate R138, R140  
 DNP R135, R139, R141  
 DNP D2, D3, D4

FIBER MODE  
 Populate R135, R139, R141  
 DNP R134, R138, R140



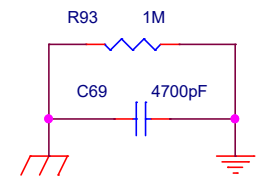
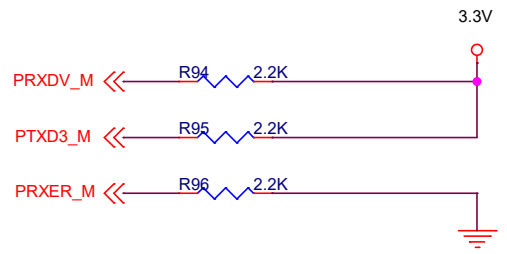
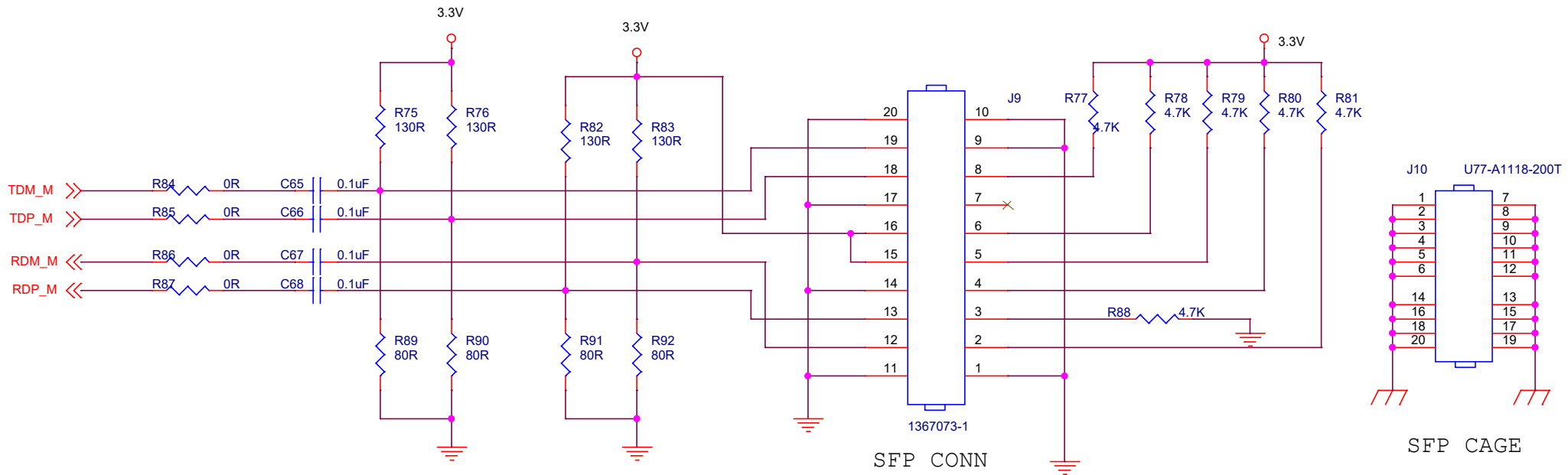
Phy Address Straps:

PHYAD1	PHYAD0	ADDRE	R145	R143
0	0	00	DNP	POP
0	1	01	DNP	DNP
1	0	02	POP	POP
1	1	03	POP	DNP



PHYAD0

PHYAD1



MII / RMI I RECEIVE ERROR

**MII Mode**

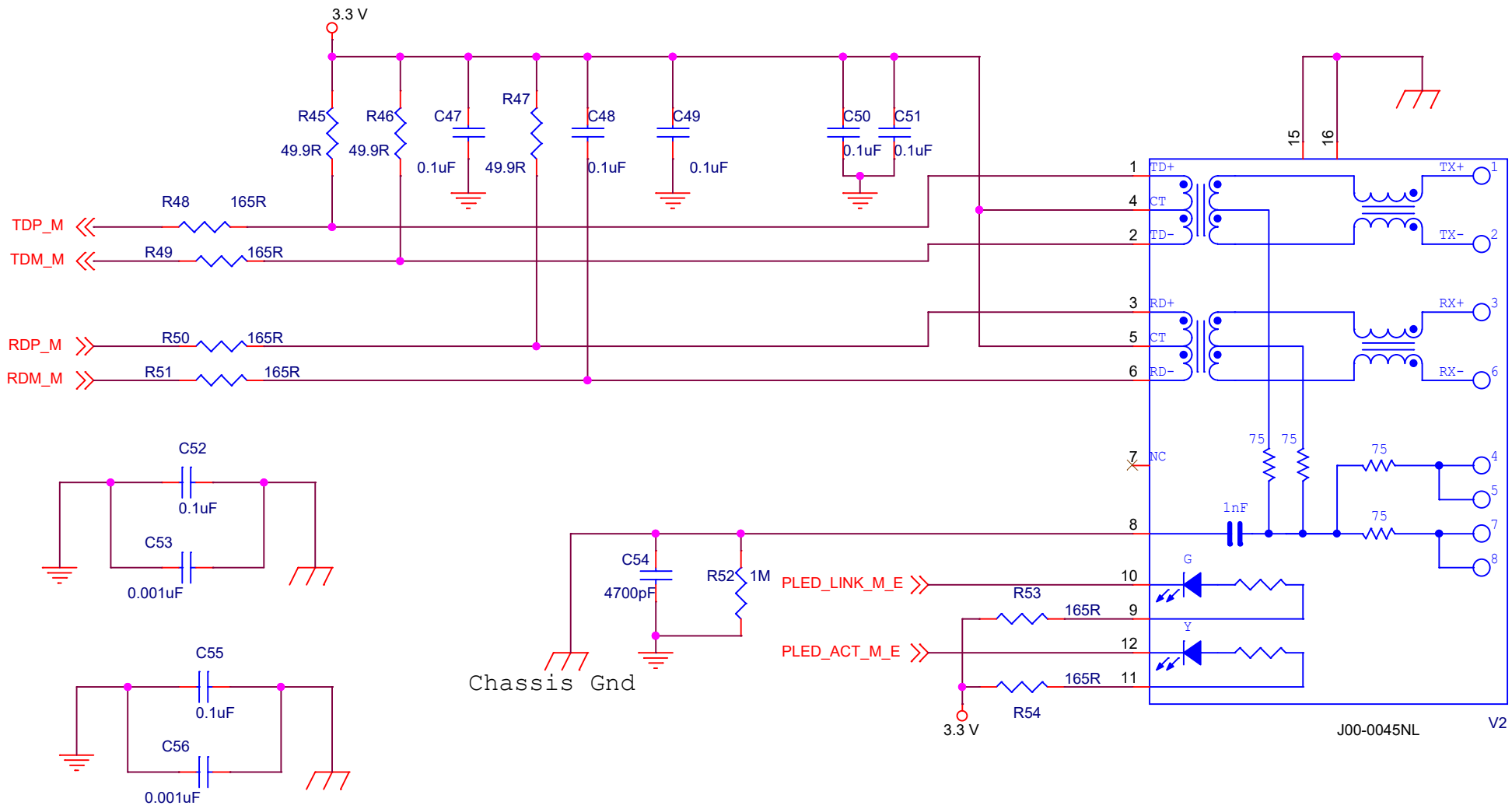
**RMI I Mode**

**Copper Mode**

DNP R94

Populate R94 and R95

DNP R96



Place on either side  
of RJ-45 connector

