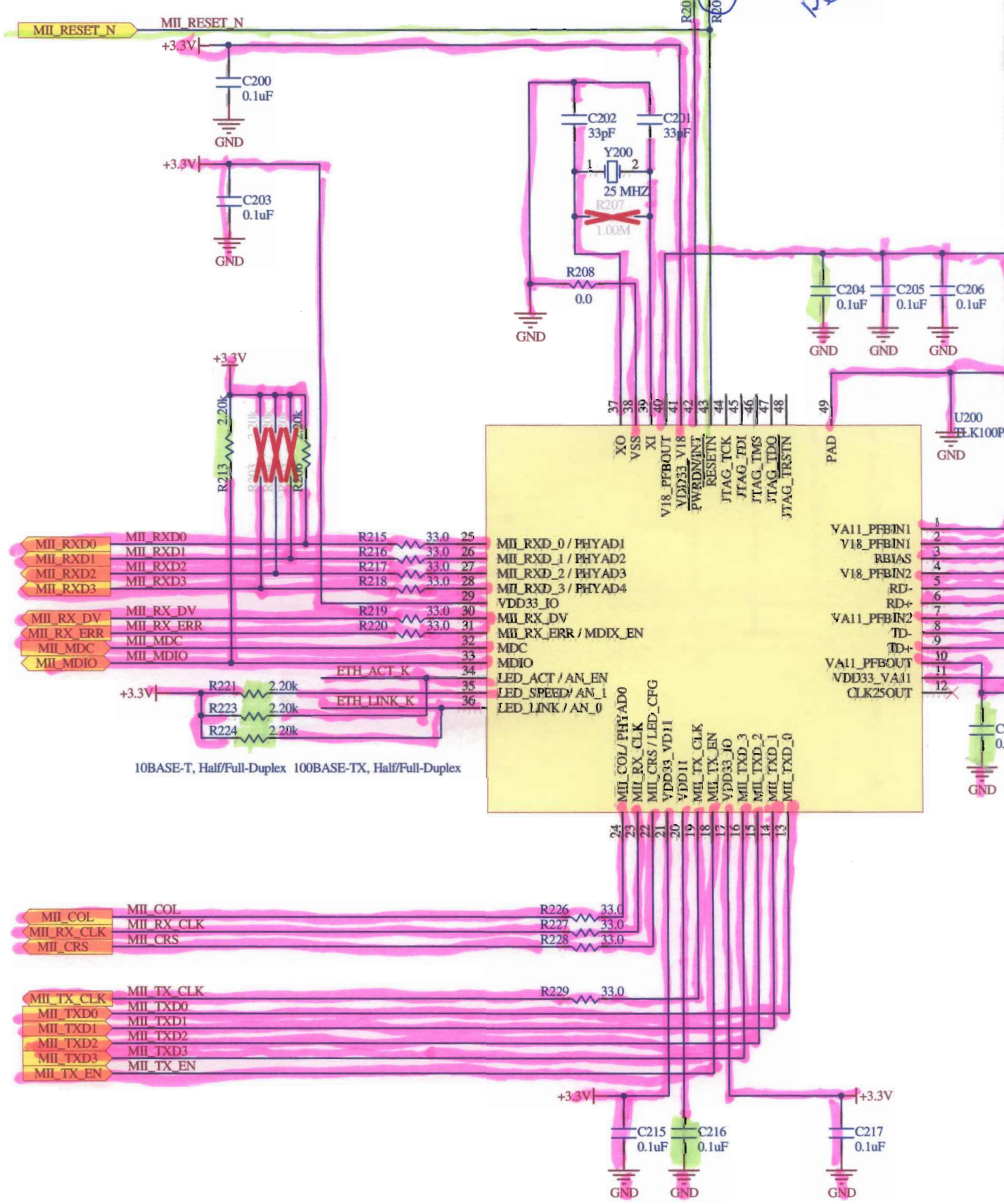


Not on Ciama Design



10BASE-T, Half/Full-Duplex 100BASE-TX, Half/Full-Duplex

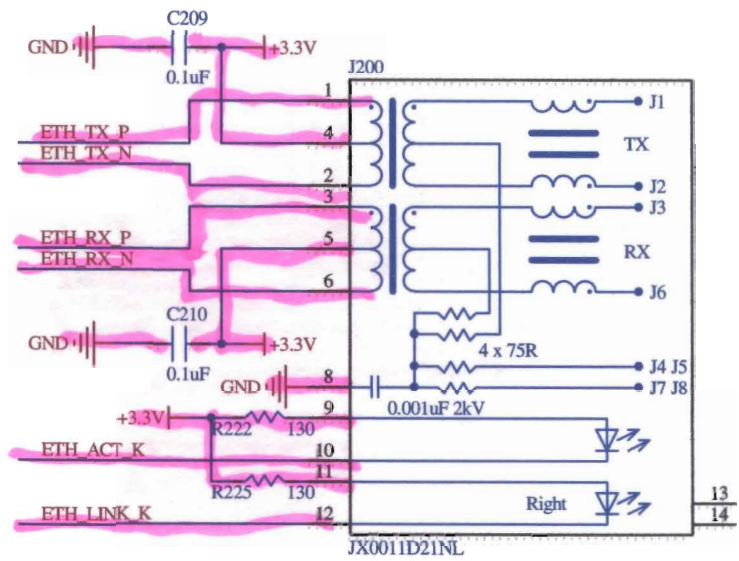
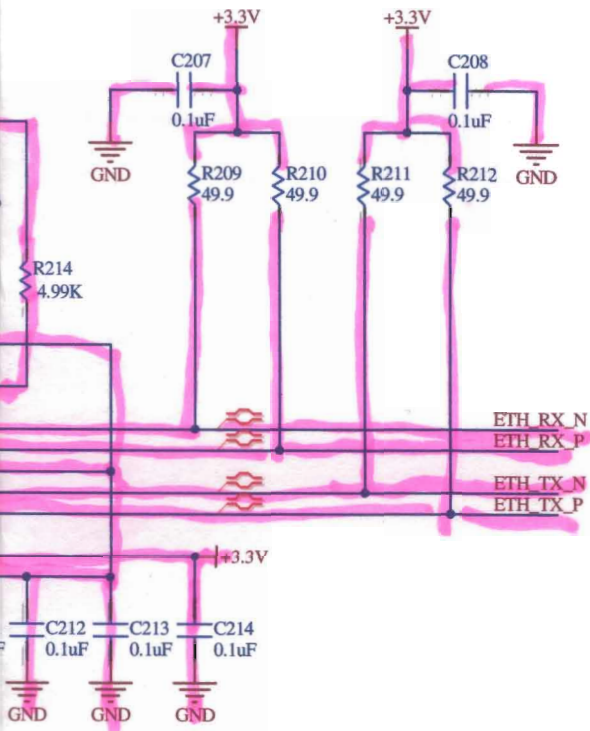
A

B

C

D

Place resistors and capacitors close to the device



Title: <b>10/100 Ethernet</b>		Critical Link LLC 6712 Brooklawn Pkw Suite 203 Syracuse NY 13211 USA (315) 425 4045	
Size: B	Number: 80-000268RI-1 Variant: 80-000268RI-1	Rev: A	
Date: 2010-03-17	Time: 12:17:18	Sheet 2 of 9	
SVN: Unknown revision		File: Ethernet.SchDoc	